

More Precision.



optris® CT Accessories

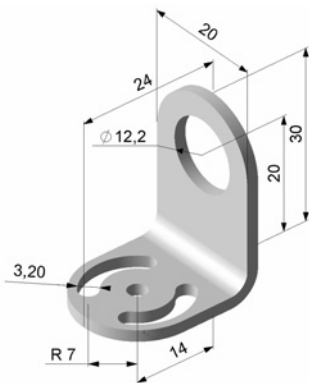
Easy adjustment to manifold applications

FEATURES

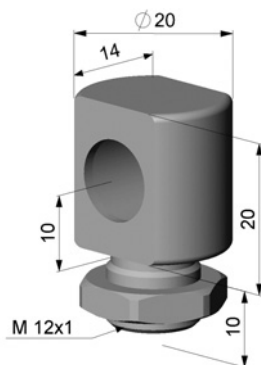
- Wide choice of standard accessory supports the universal use of the optris® CT
- Special accessory for specific applications
- Highly flexible in being installed by distinct combinability



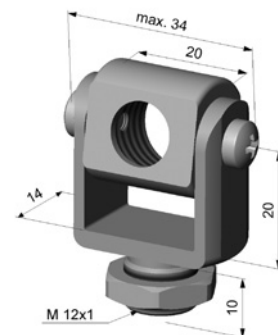
Mounting accessories



Mounting bracket, adjustable in one axis



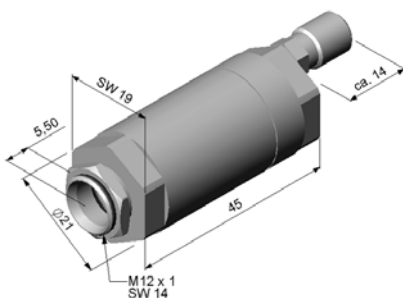
Mounting bolt with thread M 12x1, adjustable in one axis



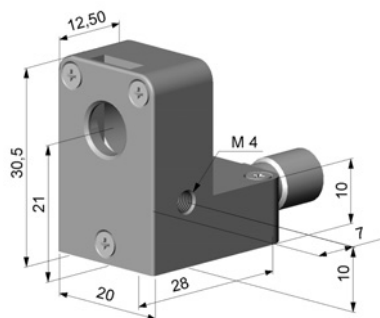
Mounting fork with thread M 12x1, adjustable in two axes

A combination of mounting bracket and bolt forms a mounting bracket, which is adjustable in two axes. The mounting fork can be combined with the mounting bracket with the M12x1-thread.

Air purge collars



Standard air purge collar, may be combined with mounting bracket



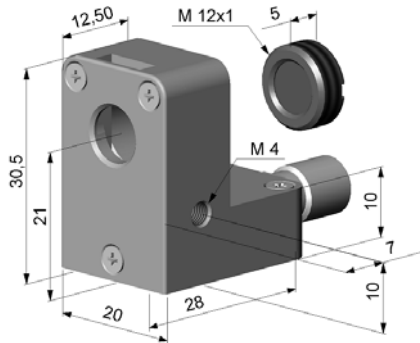
Laminar air purge collar - the side air outlet prevents a cooling down of the object in short distances

A combination of the laminar air purge collar with the bottom section of the mounting bracket forms a unit, which is adjustable in two axes.

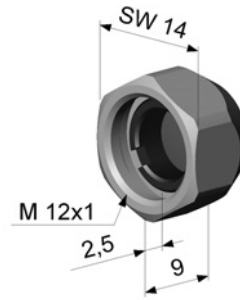
optris® CT Accessories

CF-Lens

optional CF-lens enables measurement of smallest objects (0,6 mm measuring spot with 20:1-sensing head)



CF-lens - combinable with any sensor (20:1/15:1/2:1)



CF-lens - integrable version for the laminar air purge collar

Massive housing

- reproducible and stable infrared temperature measurements under the most difficult and hazardous conditions
- designed for processes and applications with significant and short-term variation in ambient temperatures
- massive housing, compact, is combinable with CF-lens

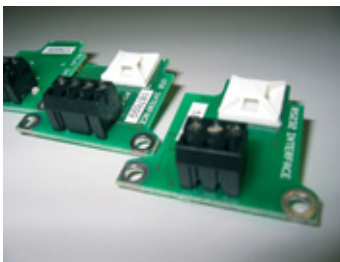


Massive housing, compact - optimized for use in mechanical engineering/available in brass or anodized aluminum



Protection tube, long - special version of massive housing to use in oven construction applications and others

Digital interfaces



- pluggable modules provide the maximal flexibility
- optional USB-, RS232-, RS485- or relay-interface
- easy installation due to standard module slot of the optris® CT